

Vogl Fold-Fix

Plaster Ceiling Profiles

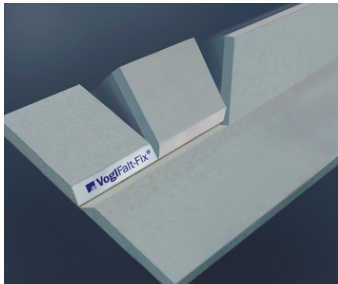
Install ceiling edges, corners and bulkheads with ease with revolutionary plaster ceiling profile solutions: Vogl Fold-Fix.

Create L-shapes, U-shapes and Z-shapes or any shape combination you can think of - no matter how difficult. It's all custom made to your specification.



Three easy steps

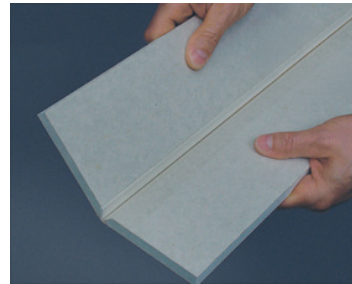
Create precise edges almost instantly with three easy steps and save money and time onsite with a perfect finish every time.



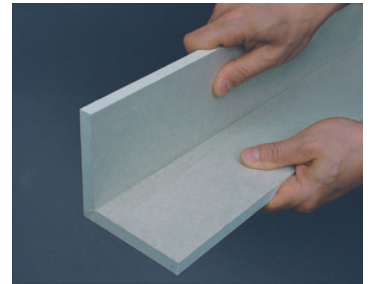
Panels arrive flat to your specification



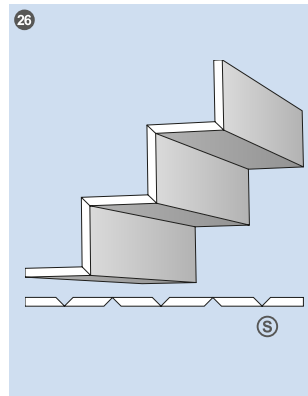
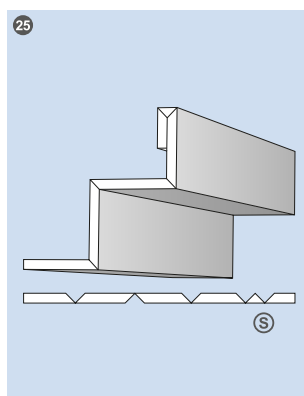
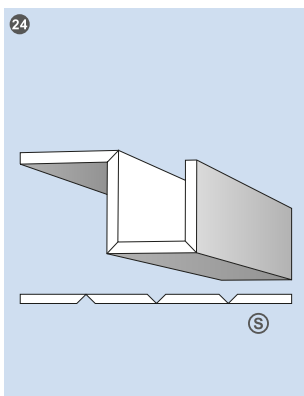
Remove cover paper



Press limbs firmly together



Done



Benefits

- Completely customised shapes - endless options!
- Integrates perfectly with the Vogl system
- No glue or complex joinery
- Perfect finish every time
- Save time & money onsite

Interested in Vogl Fold-Fix? Speak to a member of our expert team today!
Call us on 1300 333 833 or visit atkar.com.au/voglfold-fix