

Vogl Fold-Fix

Experience a room through precision

The folding technology of Vogl Fold-Fix offers unlimited creative design possibilities.

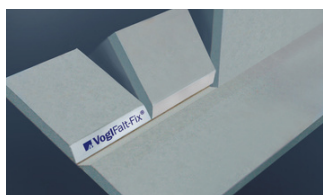
Create L-shapes, U-shapes and Z-shapes or any shape combination you can think of - no matter how difficult. It's all custom made to your specification.

Create precise edges almost instantly with three easy steps saving money and time onsite with a perfect finish every time.

Vogl Fold-Fix perfectly integrates with all other Vogl products including VoglFuge, Vogl Colour and Vogl Toptec. It's the complete ceiling solution you've been looking for.



Vogl Fold-Fix



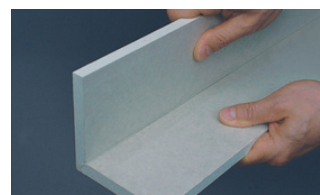
1. Delivered flat



2. Remove cover paper



3. Press limbs firmly together



4. Done!

Key Benefits

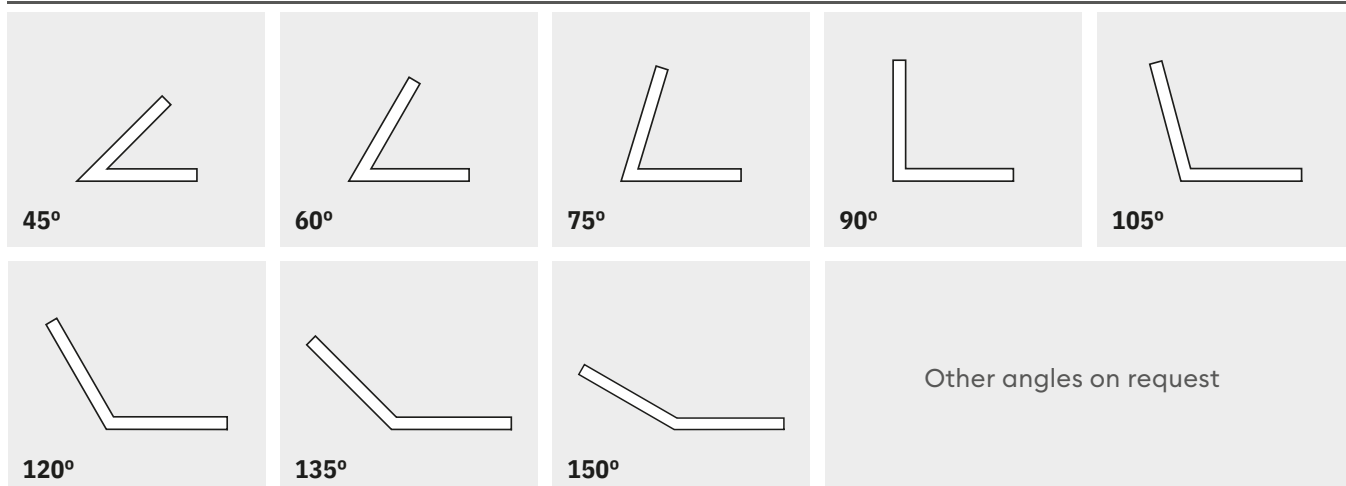
- Glueless joining of moulded components on site, no priming, no drying times
- Easy on-site handling of moulded components
- High adhesive strength immediately
- Angle adjustment of $\pm 2^\circ$ after adhesion
- Delivered flat - less handling damage

Notes:

Vogl Fold Fix moulded components must be installed without any stresses acting upon them. The free limb must always be fixated.

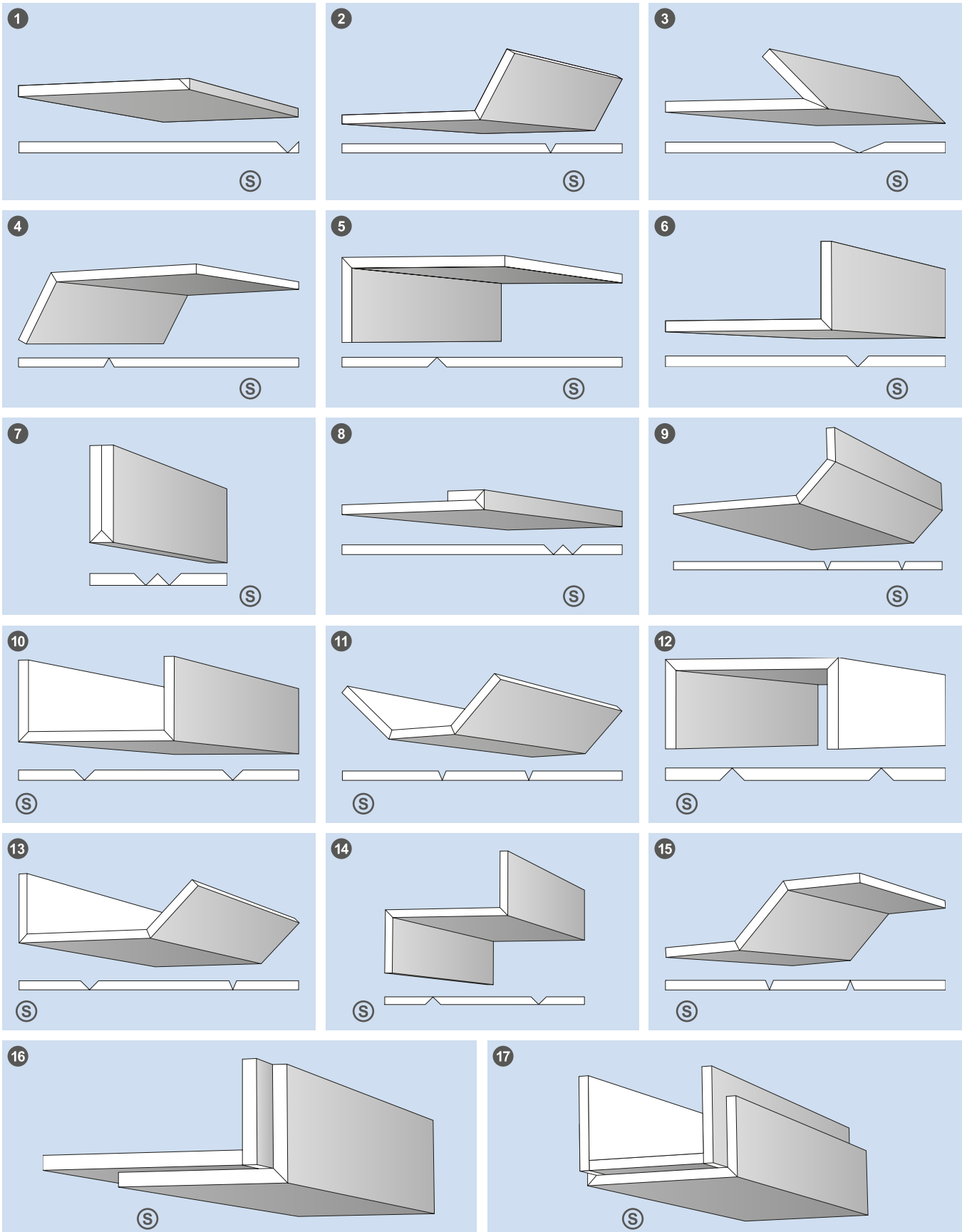
Fold Fix moulded components come flat (space-saving) and factory-supplied with VoglFold-Fix adhesive tape.

Available angles



V-grooves

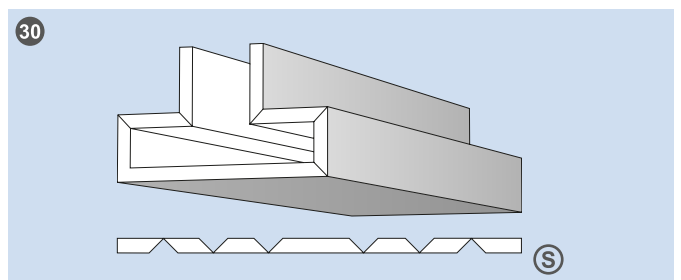
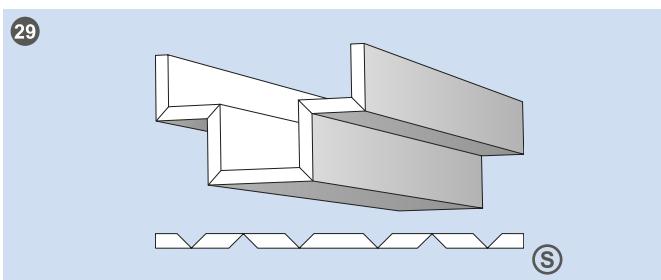
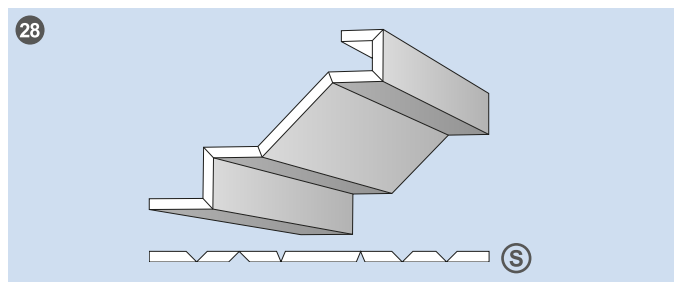
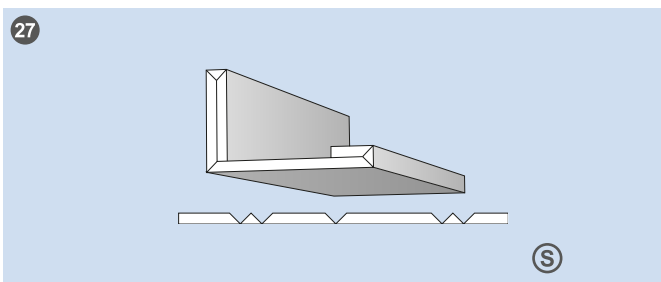
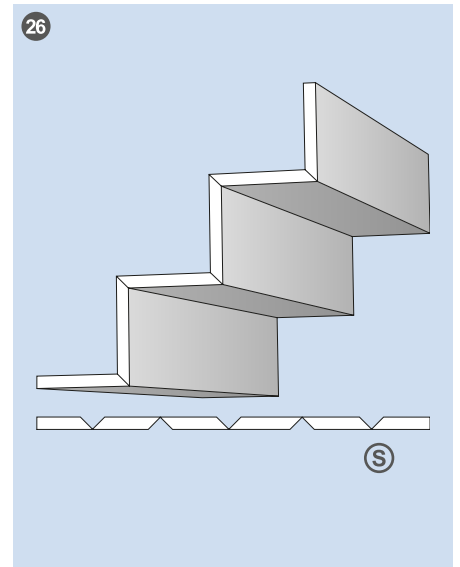
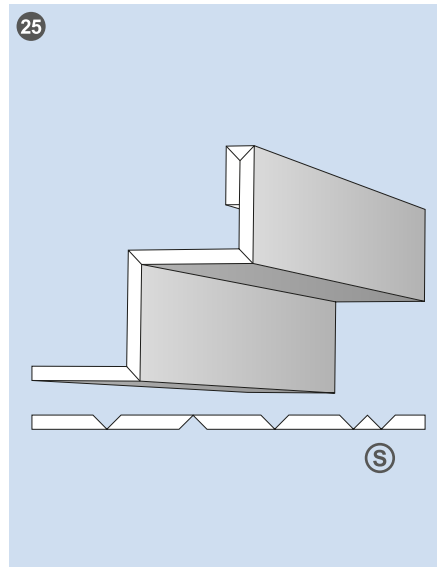
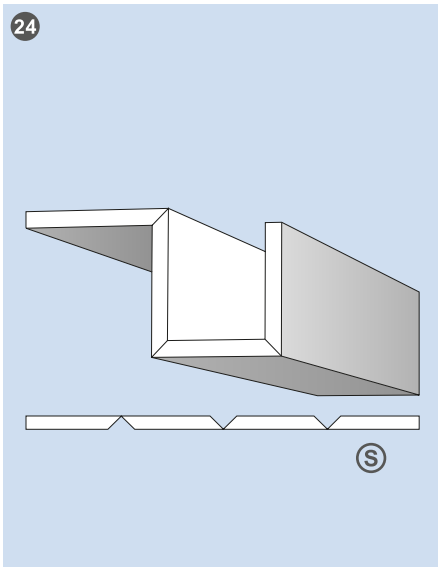
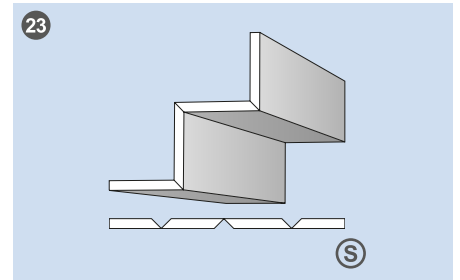
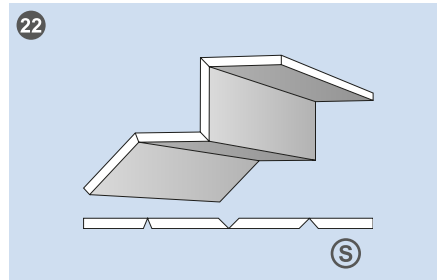
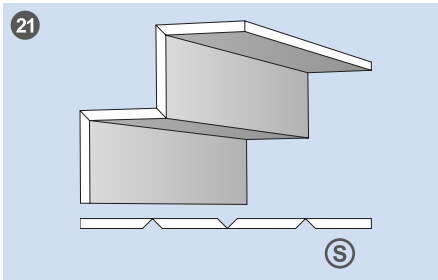
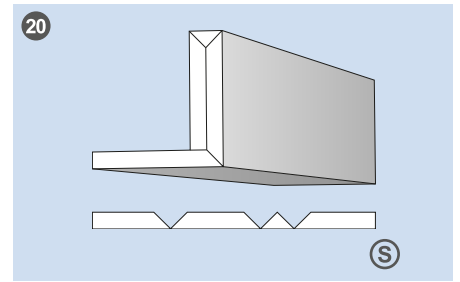
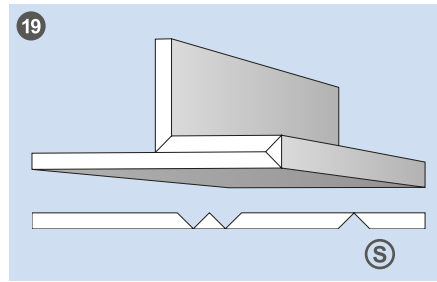
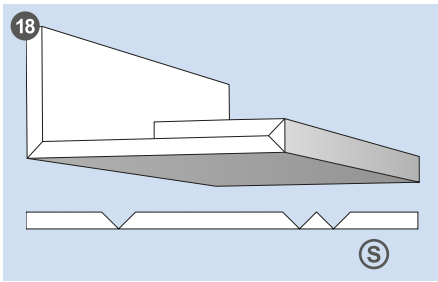
Ⓢ = face side



Vogl Fold-Fix

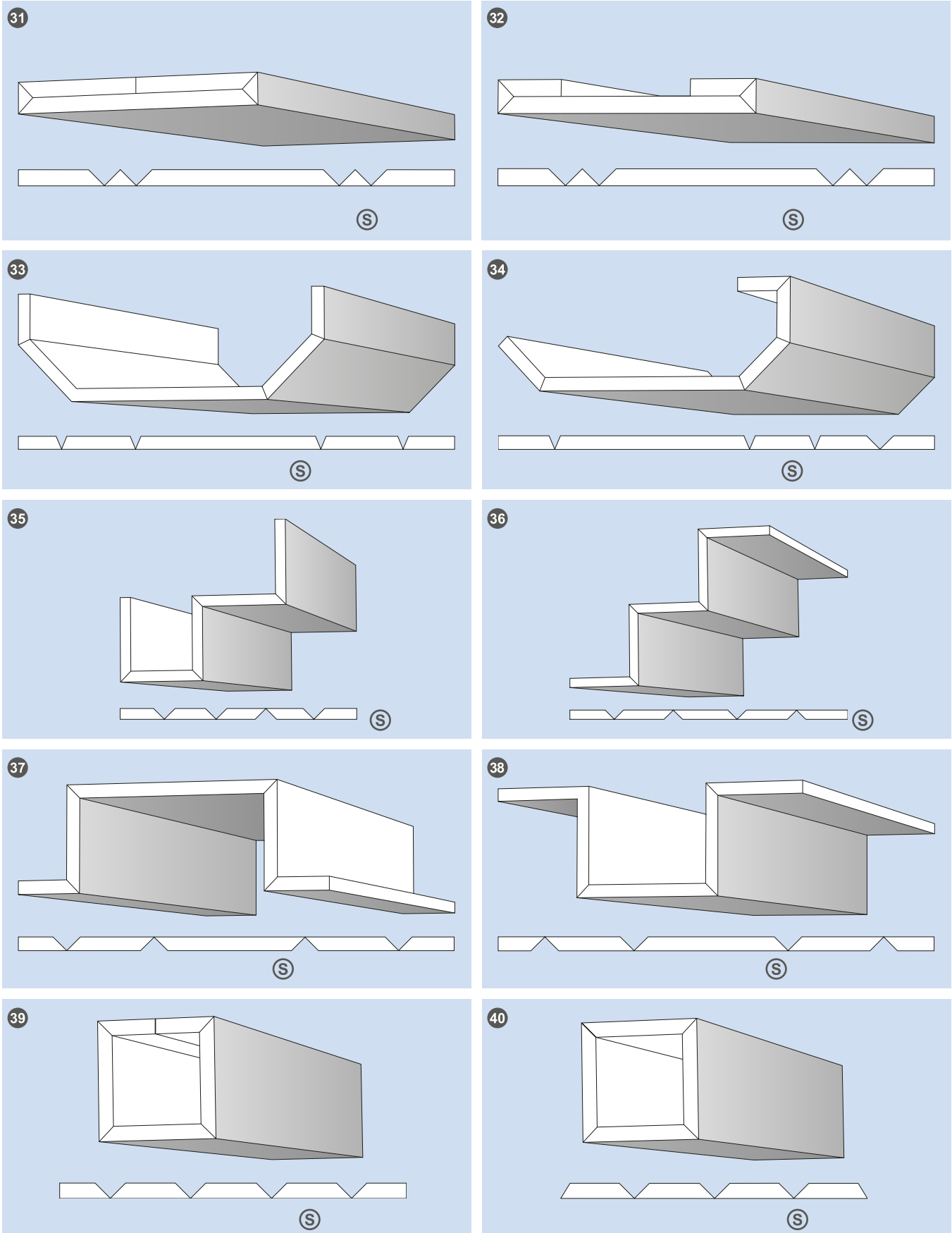
V-grooves

Ⓢ = face side



V-grooves

Ⓢ = face side



Vogel Fold-Fix