

Au.diTouch™ data sheet & installation guide

Product Description

Au.diTouch is a premium fabric wrapped acoustic panel solution for walls with tailored designs in a wide range of fabric choices. Au.diTouch can be concealed fixed to walls. Panels can be customised as necessary.

Product Features

- High acoustic performance, tailored to meet individual project requirements
- Easy to install with proprietary concealed fixing systems
- Perfect for retrofits
- Myriad of Inlux Fabric colour choices or select your own fabric

Applications

- Walls

Installation Details

Au.diTouch wall panels are best mounted with the Au.diMount BJ2 concealed fixing system.

Details of this system is included in Au.diMount data sheet.

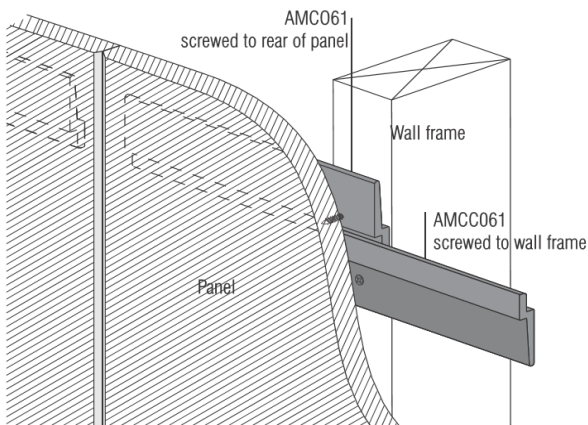
Allowance should be made between panels to accommodate swelling and building movement

Jointing Details

Concealed Fixings

Butt Joint System

Typical detail refer to Au.diMount BJ2 System data sheet for full details



Fixing Systems

- Au.diMount BJ2 concealed fix (walls)

Substrates

- MDF: frame with insulation

Finishes

- Inlux Fabric

Acoustic Performance

25mm - NRC value 0.75

50mm - NRC value 0.9

For more details on acoustic performance to suit your project please contact Atkar.

Material Sizes

Au.diTouch standard panel size is 2400 x 1200mm. For non-standard sizes contact Atkar.

Panel Thickness

Nominal insulation thickness 25mm or 50mm

Fire Rating

For Group Number fire ratings please contact Atkar.

Warranty

Au.diStyle is warranted for fifteen (15) years. Refer to Warranty document for terms.

