

Au.diMount CX4™

13.4.1

Introduction

The Au.diMount Cx4 System has been purpose designed as a concealed fixing system for all types of timber substrate ceiling panels. The system is completely unique offering demountability and an integral joint backing detail. Tested to comply with AS/NZS 2785/2000 Suspended Ceilings, Au.diMount CX4 is suitable for most internal ceiling applications.

Note: Minimum thickness panel – 12mm

Features

- Fully concealed fixing
- Suitable for un=perforated panels
- Easily demountable
- Integral expressed joint backing detail
- Lightweight
- Tested to comply with AS/NZS 2785/2000.

Variations

- Angled ceilings
- Suitable for soffits

Components

- ACH461 Panel Interlock
- ACZ460 Carrier Rail
- ACC463 Panel Rail
- FGT1616 Foam Tape
- BH641 Bugle Head Screws

CX4 System

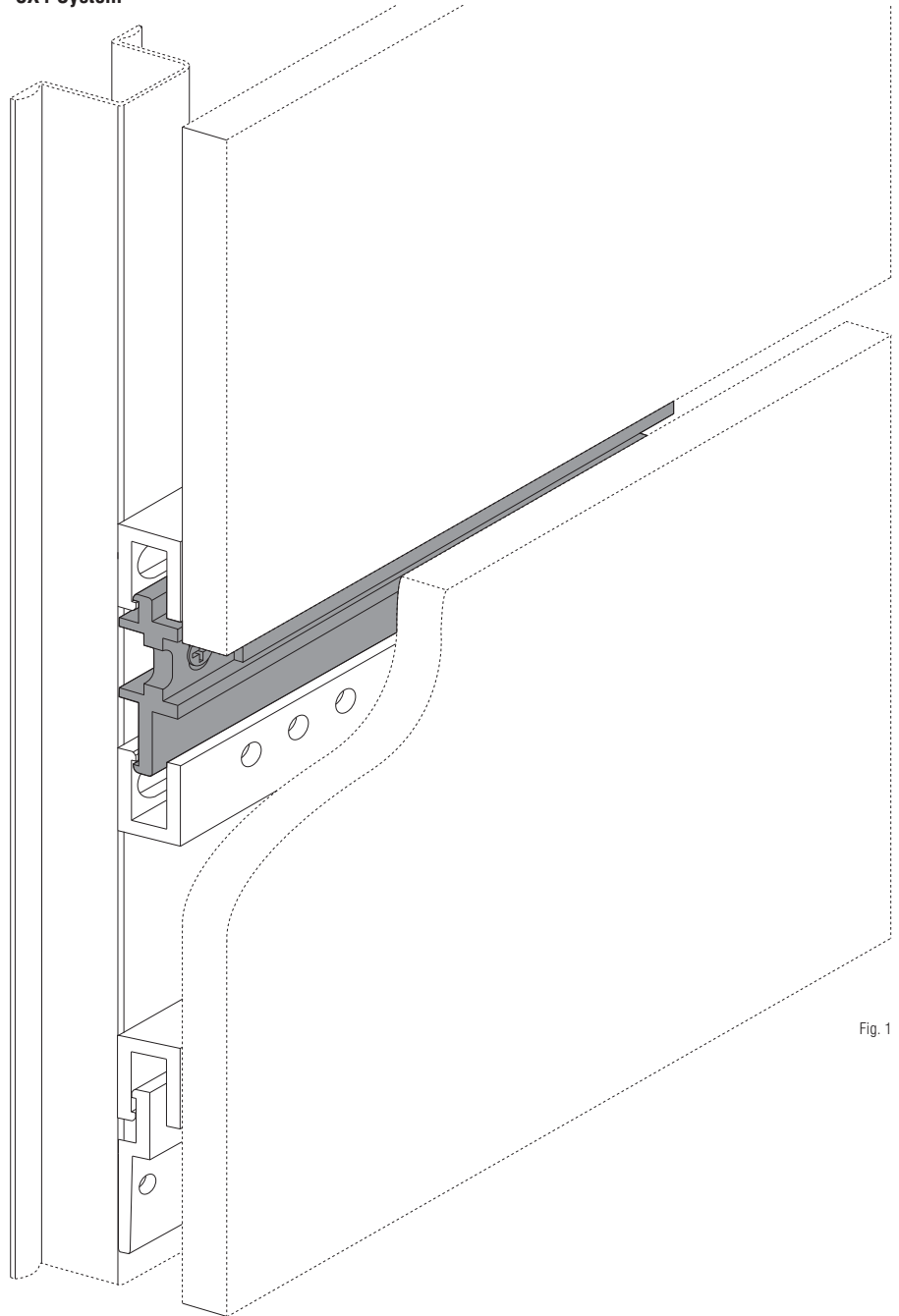
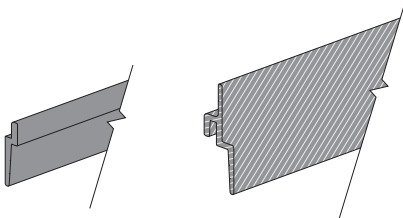
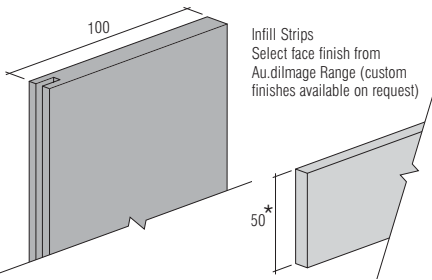


Fig. 1



AMC061 Carrier rail **1** **2**

AXP161 Panel rail **3**



Infill Strips
 Select face finish from
 Au.dimage Range (custom
 finishes available on request)

* Custom widths available

AXV09 Vertical Infill **4**

AXH06 Horizontal Infill **5**